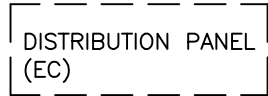
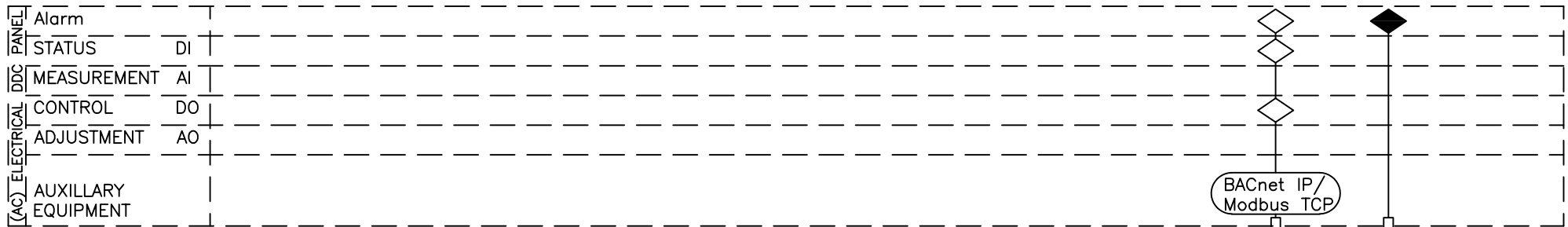
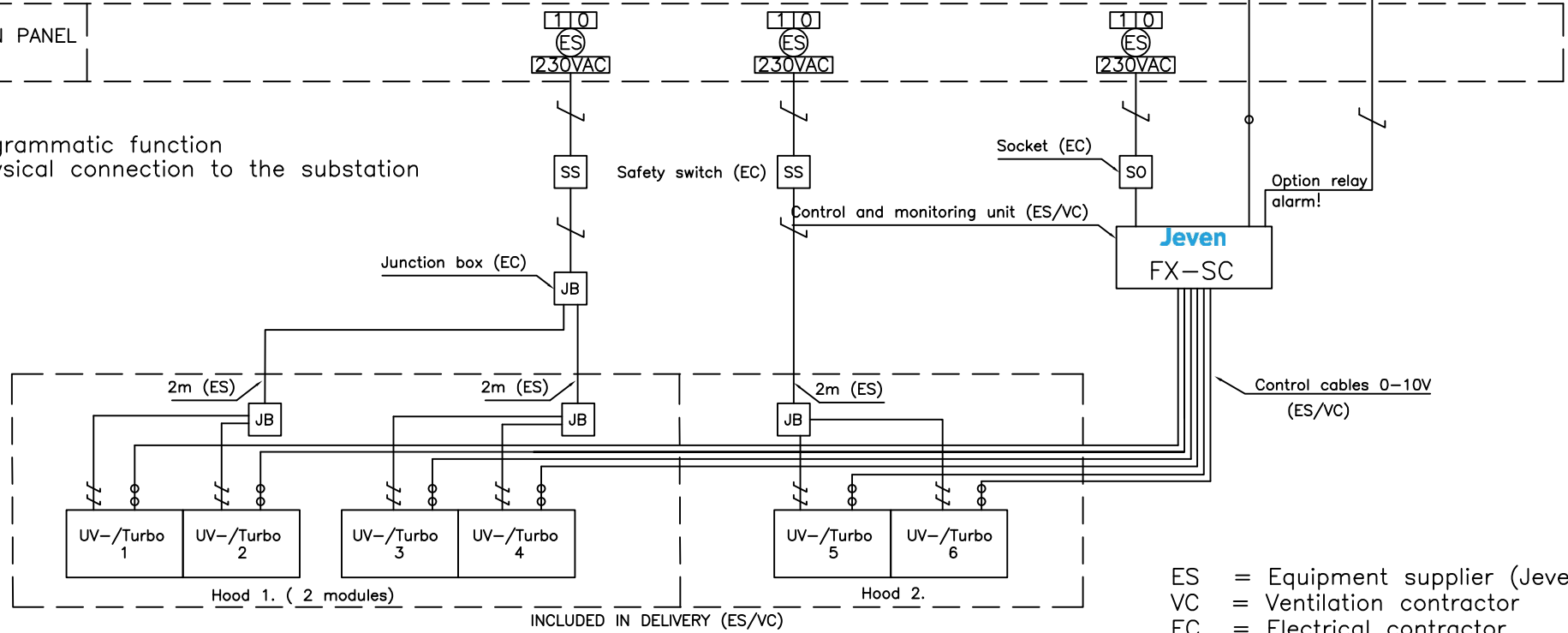


# FX-SC Control- and monitoring unit automation scheme



◇ = Programmatic function  
 ◆ = Physical connection to the substation



ES = Equipment supplier (Jeven)  
 VC = Ventilation contractor  
 EC = Electrical contractor  
 AC = Automation contractor

- ⎓ = 230VAC, Connection Jeven (ES)
- = Control cables 0-10V, Jeven (ES), connection (EC)
- /— = 230VAC, wiring (EC), connection (EC)
- = BACnet or Modbus -interface, wiring (EC), connection (AC)

The operation authorization for grease filters is set by locking the power supply to the operation of the exhaust fan by relay control. Operation (on/off) is controlled with the building automation time program via the BACnet IP or Modbus TCP interface.